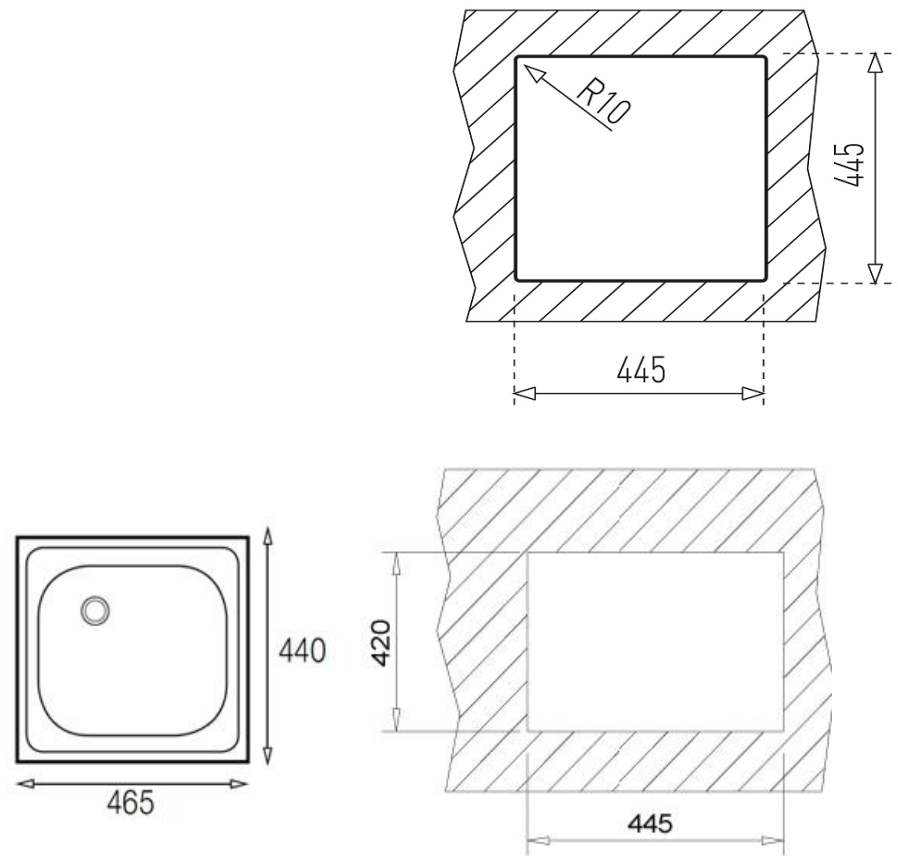


SPECIFICATION SHEET - kitchen sinks

BRAND:		Product Photo:
ORIGIN:	Turkey	
SERIES:	Universal	
PRODUCT DESCRIPTION:	Stainless Steel Inset kitchen sink, 465.440.1B.RT.E50 with: one bowl size: 445 x 420mm 1 corner tap hole ,	
MODEL No.	4013.6104	
FINISH/COLOUR:	Polished	
DIMENSIONS:	'Overall (wxh): 465 x 440 mm	
OPTIONAL MATCHING PARTS:	A1 Waste basket strainer 3½" PA Single sink bottle trap 1½"	

Technical Informations:



REMINDER: Do not use cleaners containing abrasive cleansers, ammonia, bleach, acids, waxes, alcohol, solvents or other products not recommended for chrome.
 All information is for reference only, installation shall always be based on the actual product delivered.